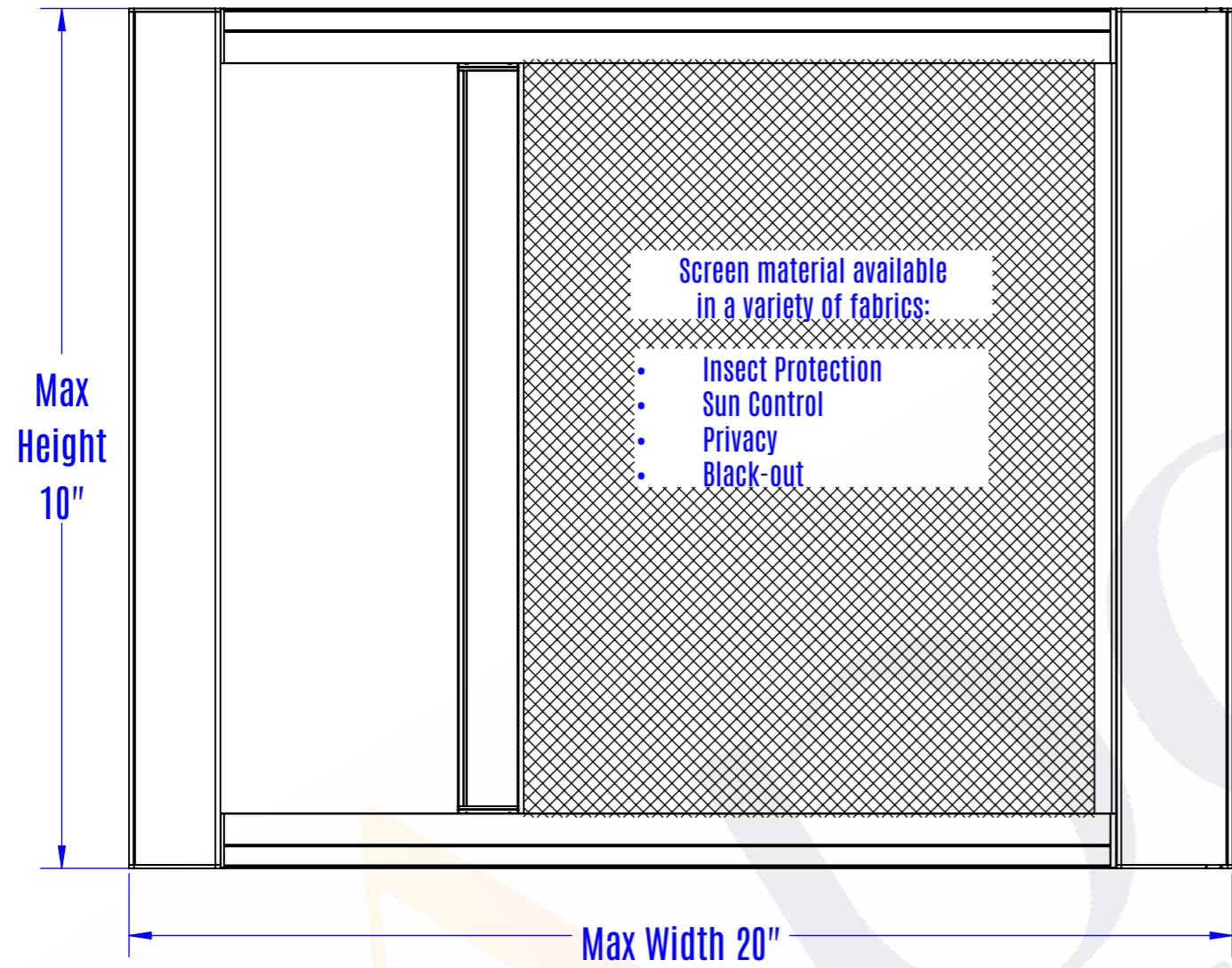
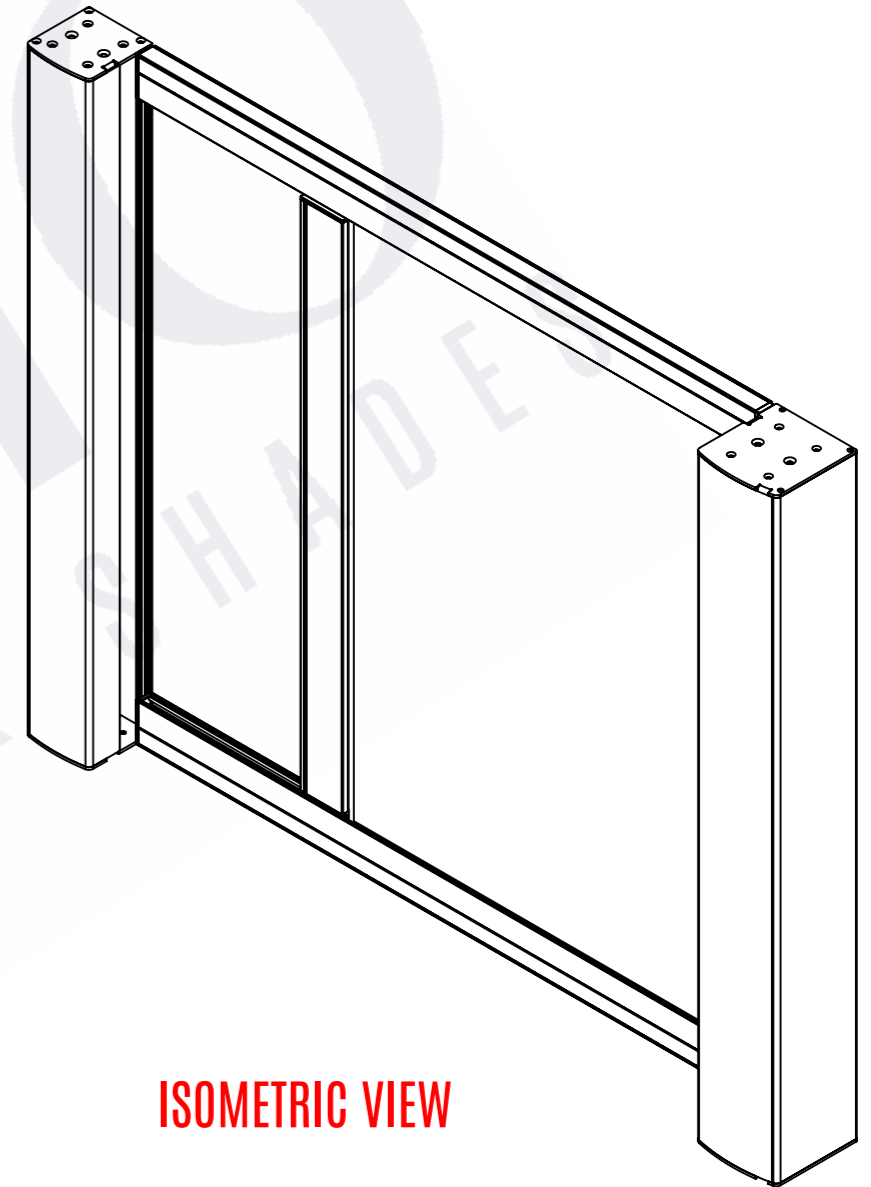


**FRONT VIEW**

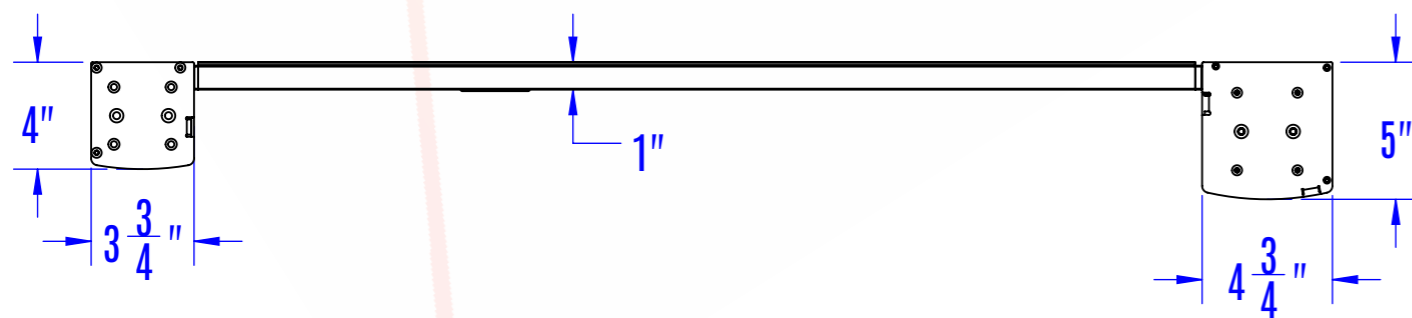


**SIDE VIEW**



**ISOMETRIC VIEW**

**TOP VIEW**



UNLESS OTHERWISE SPECIFIED DIMENSION ARE IN INCHES:

.X - ±0.3  
.XX - ±0.1  
.XXX - ±0.05

ANGLES ±1.0°

ALL DIMENSION & TOLERANCES APPLIES AFTER THE PLATING PROCESS. DEBURR & BREAK SHARP EDGES .005 R MAX. PER ASME Y14.5 M-1994

INTERPRET GEOMETRIC TOLERANCING PER:

MATERIAL

FINISH

www.apolloscreen.com

	NAME	DATE
DRAWN	V.STOEV	10/13/2023
CHECKED		
ENG APPR.		
MFG APPR.		
Q.A.		
COMMENTS:		

TITLE: <b>Apollo-PowerScreen-Surface Mount</b>		
SIZE <b>D</b>	DWG. NO.	REV <b>A</b>
SCALE: 1:7	WEIGHT:	SHEET 1 OF 1