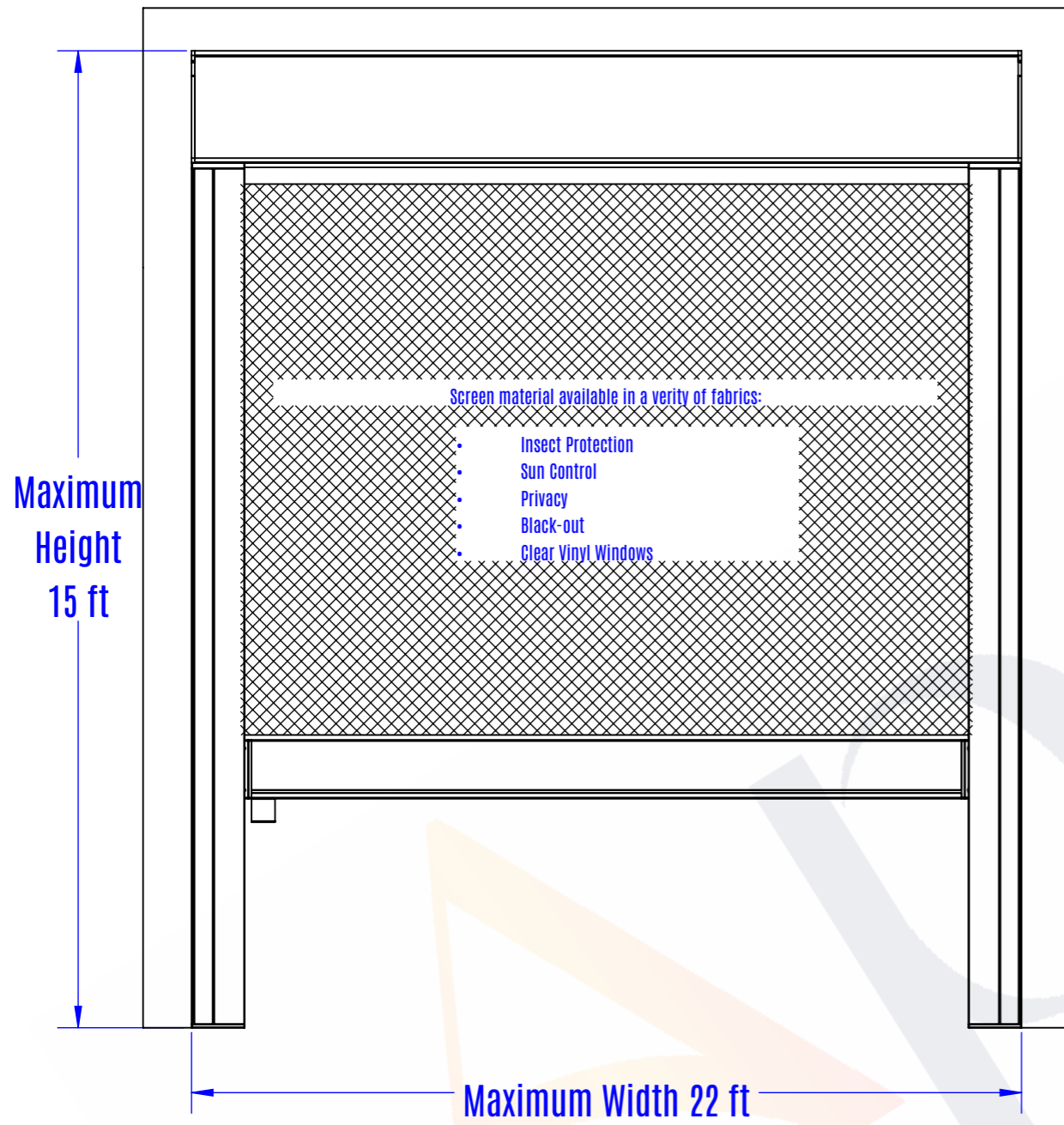
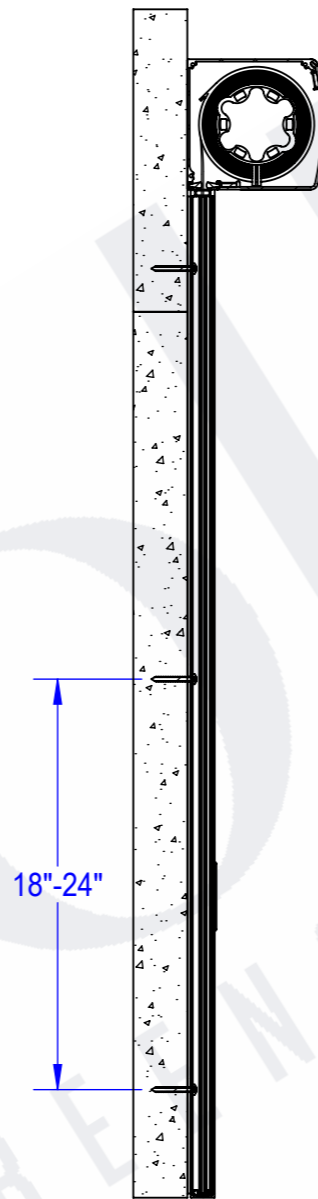


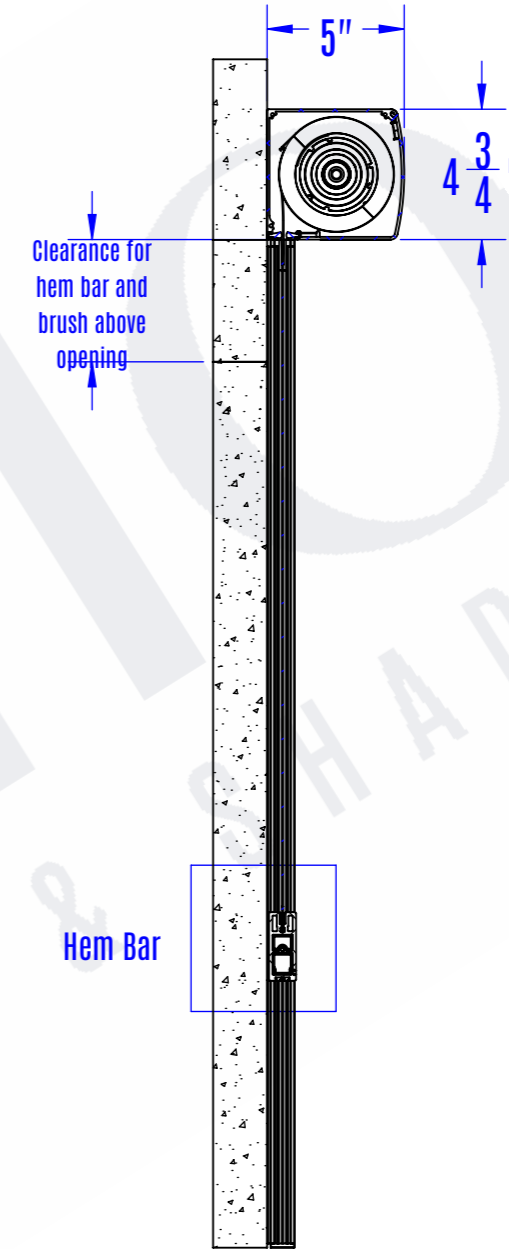
FRONT VIEW



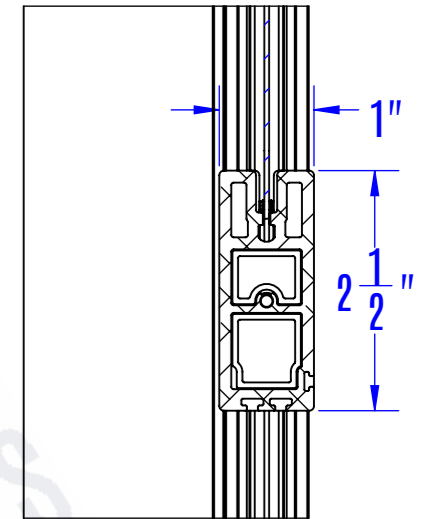
SIDE VIEW



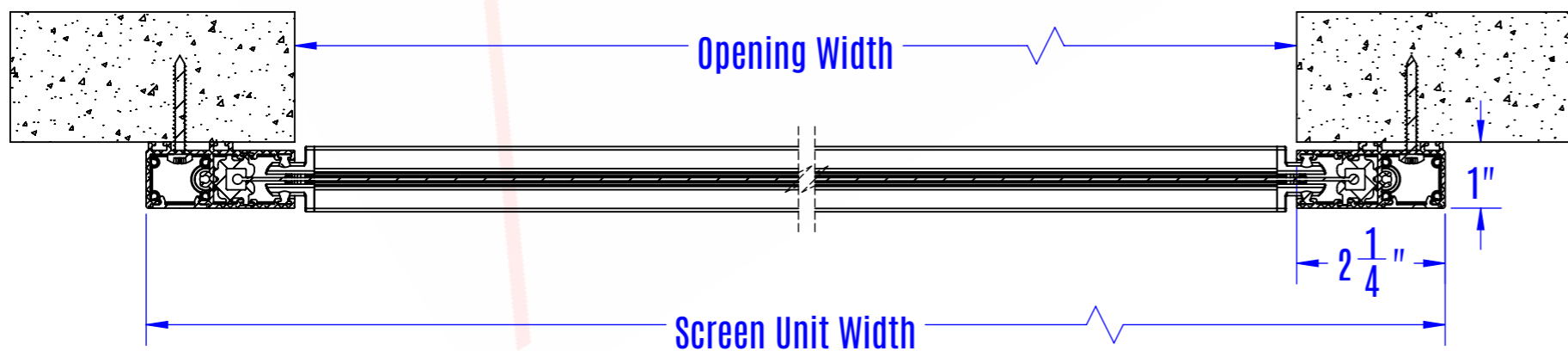
HOOD & HEM BAR



HEM BAR DETAIL



SIDE TRACK DETAIL



Motor:
 - 120V AC 60Hz
 - Index Protection Rating: IP 44

Operation:
 - Radio Frequency Handheld Remote or Wall Switches
 - Apps For Smart Phones
 - Compatibility With Home Automation Systems

UNLESS OTHERWISE SPECIFIED DIMENSION ARE IN INCHES:

.X - ±0.3
 .XX - ±0.1
 .XXX - ±0.05

63 UNLESS OTHERWISE NOTED

ANGLES ±1.0°

ALL DIMENSION & TOLERANCES APPLIES AFTER THE PLATING PROCESS. DEBURR & BREAK SHARP EDGES .005 R MAX. PER ASME Y14.5 M-1994

INTERPRET GEOMETRIC TOLERANCING PER:

MATERIAL

FINISH

www.apolloscreen.com

| | NAME | DATE |
|-----------|---------|----------|
| DRAWN | V.STOEV | 3/4/2026 |
| CHECKED | | |
| ENG APPR. | | |
| MFG APPR. | | |
| Q.A. | | |
| COMMENTS: | | |

Apollo
 SCREENS & SHADES

TITLE:
Apollo-PowerScreen-Surface Mount

| | | |
|------------------|----------|-----------------|
| SIZE D | DWG. NO. | REV A |
|------------------|----------|-----------------|

SCALE: 1:7 WEIGHT: SHEET 1 OF 1